

HAYER & BOECKER



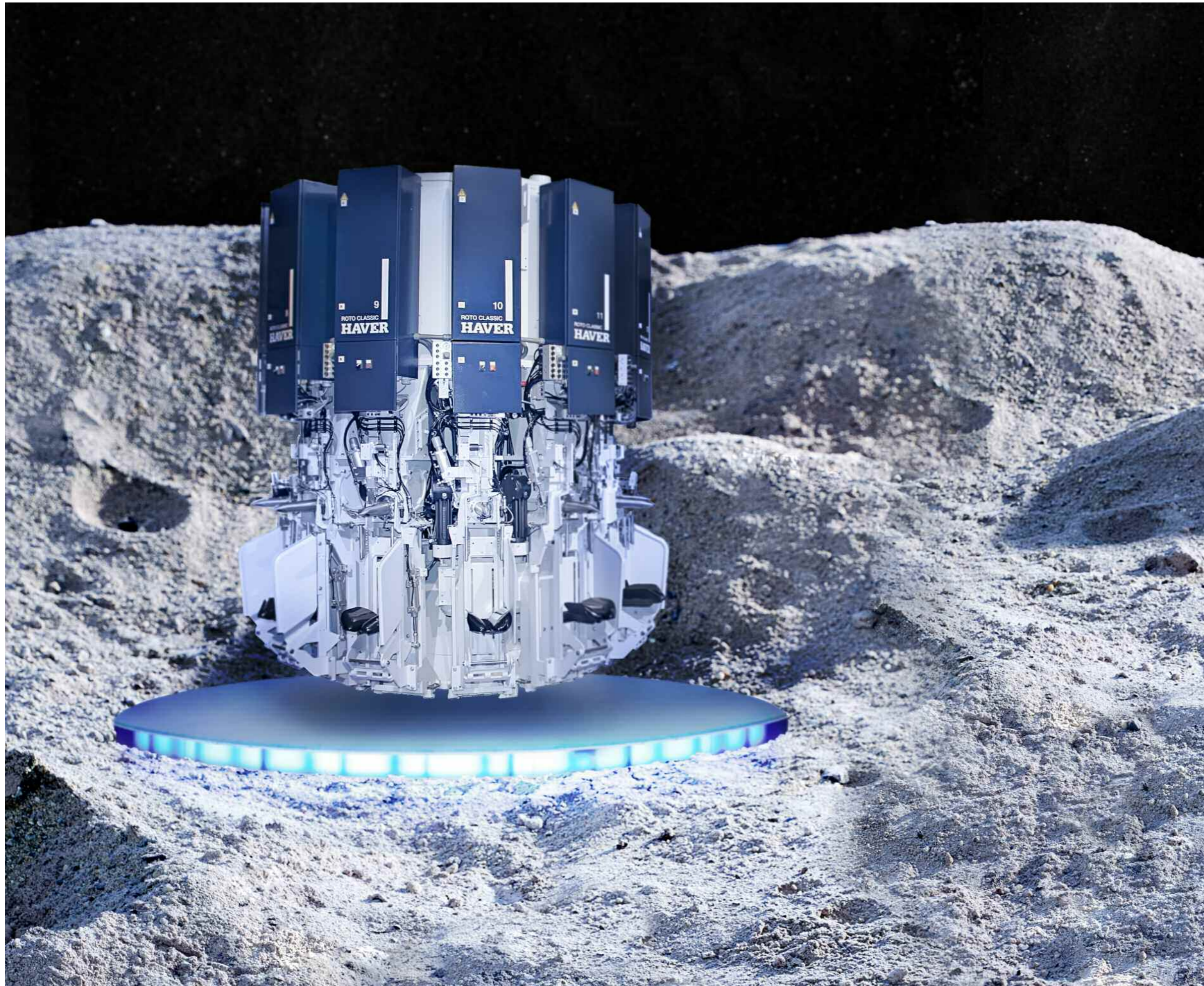
DIE MASCHINENFABRIK

THE ROTO-PACKER® RVT

REDEFINING AN ICON



HAYER & BOECKER



CONTENT

Inspiration	4-5
Motivation	6-7
Modular	8-9
Intelligence	10-11
Profitable	12-13
Clean	14-15
Prosperous	16-17
HAVER & BOECKER	18-19



INSPIRATION

*“Our products are not an end in themselves,
but a means by which our customers can
accomplish something useful and profitable.”*

Washington Samuel Tyler

While HAVER & BOECKER was founded in 1887, our subsidiary W.S. TYLER is even older and was established in 1872. Washington Samuel Tyler captured in words the philosophy that has been the driving factor to every product we have ever designed. The foundation of the ROTO-PACKER® worldwide success story is the realization that it is not an end in itself, but a tool for its owner to create something useful and profitable. This is the mantra which inspired us to redesign the RVT version of our ROTO-PACKER® which stands for **R**otating packing system for **V**alve bags using **T**urbine (impeller) technology.

WASHINGTON SAMUEL TYLER

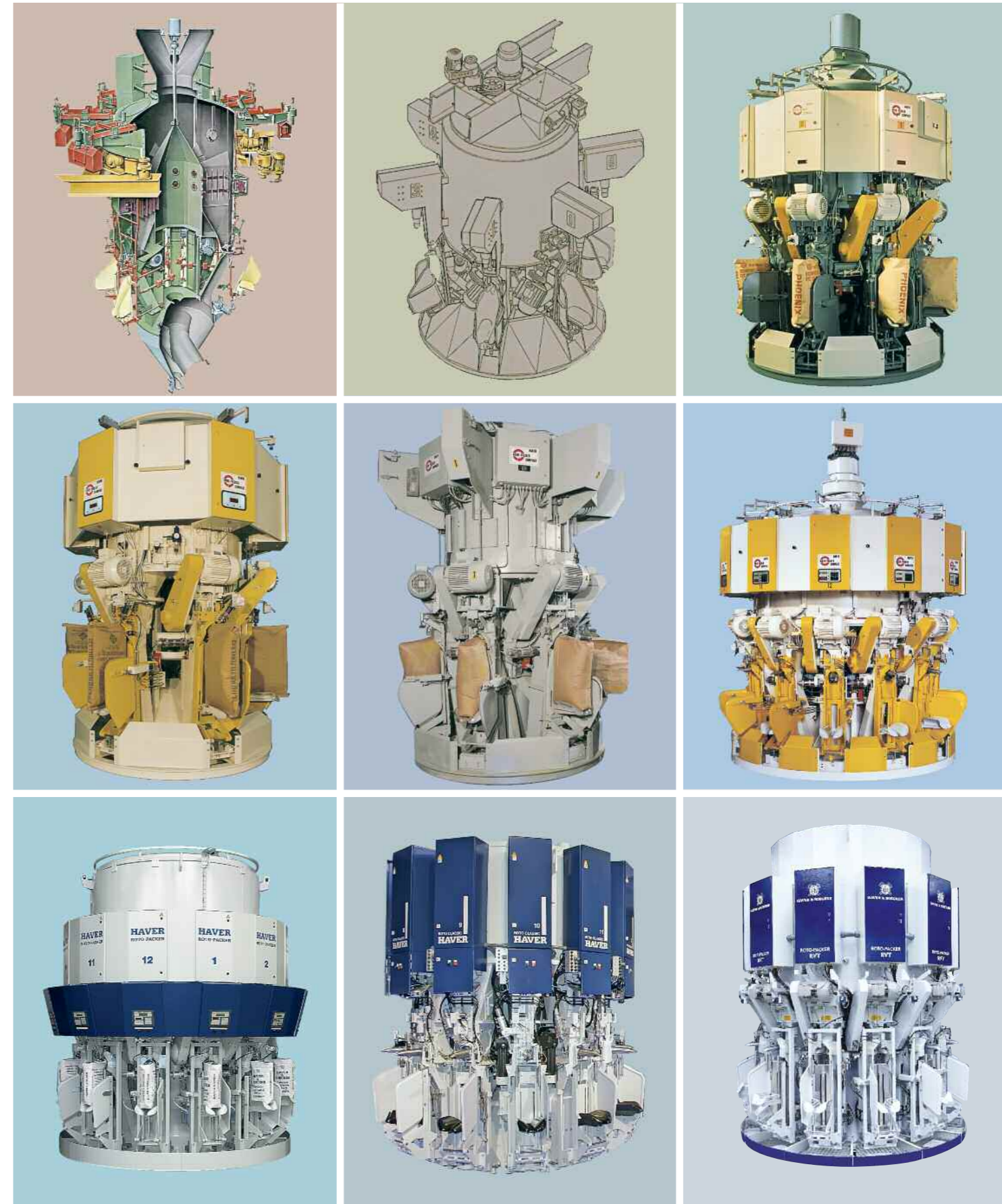
* 1835 in Ohio City, † unknown
At 37 years of age, Washington S. Tyler started a wire weaving mill in Cleveland in 1872 and began operations with eleven workers.

MOTIVATION

“The ROTO-PACKER® is an icon. It is the original that not only sets the bar for our customers, but also our competitors. The RVT needs to be designed to break barriers when it comes to performance, intelligence, profitability and cleanliness.”

Christian Böhner, RVT Project Manager

ROTO-PACKER® represents more than just HAVER & BOECKER’s product designation for the biggest selling bulk packaging system in the world. Our ROTO-PACKER® machines are known among our customers, engineering companies and even our competitors as guarantor for high-performance rotating packing technology. In order to live up to its name, the ROTO-PACKER® needs to push the envelope. It needs to set new standards and break current technological barriers. Developed by a designated mechatronic team, the RVT generation is focused on reaching new heights when it comes to performance, intelligence, profitability and cleanliness.

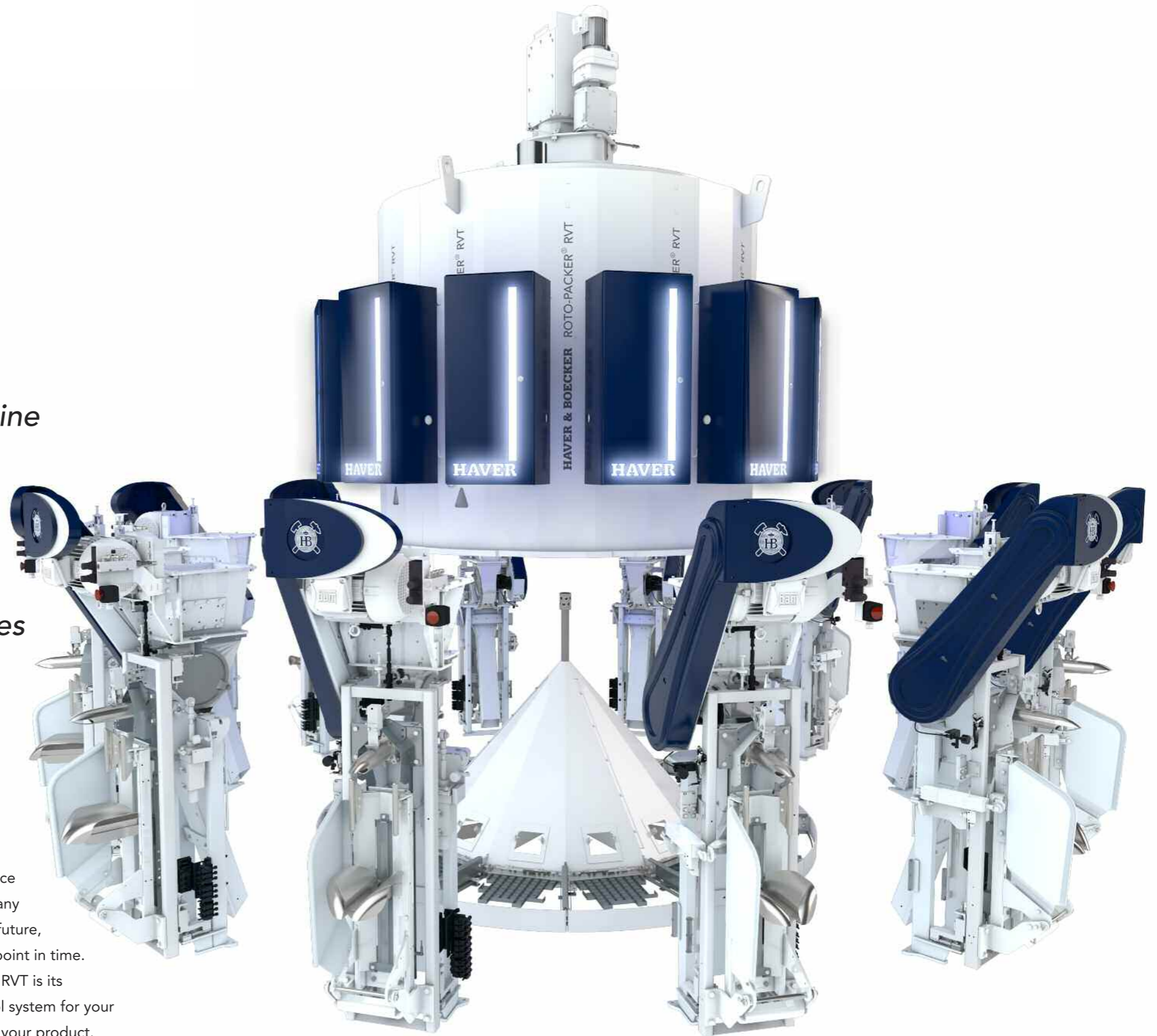


MODULAR

“Whatever we do, we must design a machine that can be adapted to any performance requirement our customers may have. The machine must be configurable in every way that is important to the client. He should not pay for anything that he does not need, but at the same time have the option to upgrade the machine to everything he wants.”

Bernhard Pagenkemper, Chief Sales Officer

The RVT version of the ROTO-PACKER® is designed to fulfill any and every performance requirement you may have. Similarly to an automobile you can configure your RVT in any way you want. Even if you are not sure about your performance requirements for the future, you can choose to configure your RVT in a manner that it can be upgraded at a later point in time. The key to optimum performance is proper weight. The heart of the ROTO-PACKER® RVT is its MEC® 4.0 weighing system, which not only serves as a scale but a configurable control system for your complete packing system. It provides ideal weights and ensures that you never waste your product. In summary, there are no limits to the configuration of your machine. You tell us what you need, and we will help you to configure the RVT in way that is perfect for you.



INTELLIGENCE

“Build me a machine that makes it easy for us to operate. It has to be simple. It has to talk to us. It has to let us know what we should do.” – YOU

Prior to developing the ROTO-PACKER® RVT we spoke to many of you. Your message to us was clear. You wanted a packing system which made it easy for you and your team to operate. You told us that the experience of your team is becoming a more and more important issue. With less time for training and a much increased rate of job rotation and added process complexity, you require a packaging system that can be operated intuitively. It should be easy to understand, quick to learn and, most importantly, it must communicate with you. The RVT accomplishes the goals you gave us. Using LED mood lighting, the ROTO-PACKER® RVT talks to you. A blue light indicates it is running fine. The red light tells you it has a fault and a white light helps you to see clearly when maintaining the machine. The large touch-screen panel offers you all features at a click of a button. It can be set to different user interfaces such as operator, maintenance or service technician. The optional HAVER QUATTRO technology allows you to document and adapt the RVT operational settings according to your team’s desires. It also enables you to remotely monitor the machine’s conditions.



BLUE = Operation Mode



WHITE = Maintenance Mode



RED = Fault Mode

PROFITABLE

“The key to making money in this business is time. It cannot be wasted. The process to make my product is too expensive to be sitting idle. The product must flow continuously and the process should not be interrupted.” – YOU

We understood. In response to your determination to generate constant flow, we designed the ROTO-PACKER® RVT modularly. Each filling spout is a complete filling system in itself. It encompasses everything required to fill, weigh, optionally seal and deliver your bag to the subsequent process step. As a result you can maintain or, if necessary, repair each filling module individually without stopping the machine for an extended period of time. You can both remove the filling module and continue to operate your machine at slightly reduced capacity, or use an interchangeable spare filling module and run your ROTO-PACKER® at full capacity all the time. Either way your maintenance crew can roll the filling module requiring work into your maintenance shop, thus allowing your team to properly work on your machine under ideal conditions without the associated time crunch.

THE PERFECT FILLING MODULE

The high-performance ROTO-LOCK® dosing unit

ROTO-LOCK® is a new, patented rotating dosing unit for ideal filling of valve bags.

- maintenance-free dosing unit
- no adjustments or readjustments necessary
- fully closed filling canal
- clean filling
- long operating lifetime due to improved material selection and optimized design

Your benefits

- Profit increase due to cleaner filling and reduced product loss
- Higher production yield due to less downtime
- Cost reduction from less cleaning and lower spare parts costs



The intelligent aeration

- automatic regulation of the various aeration positions
- optimum air amount adjustment according to the product
- no manual pressure adjustment necessary

Your benefits

- reduction of operating costs, especially for compressed air, less air inside the product = less air in the bag = cleaner filling = less wear and tear
- less machine downtime
- reduction of spare parts costs

The maintenance-friendly design

- good accessibility to all components from the front
- easy replacement of complete filling modules

Your benefits

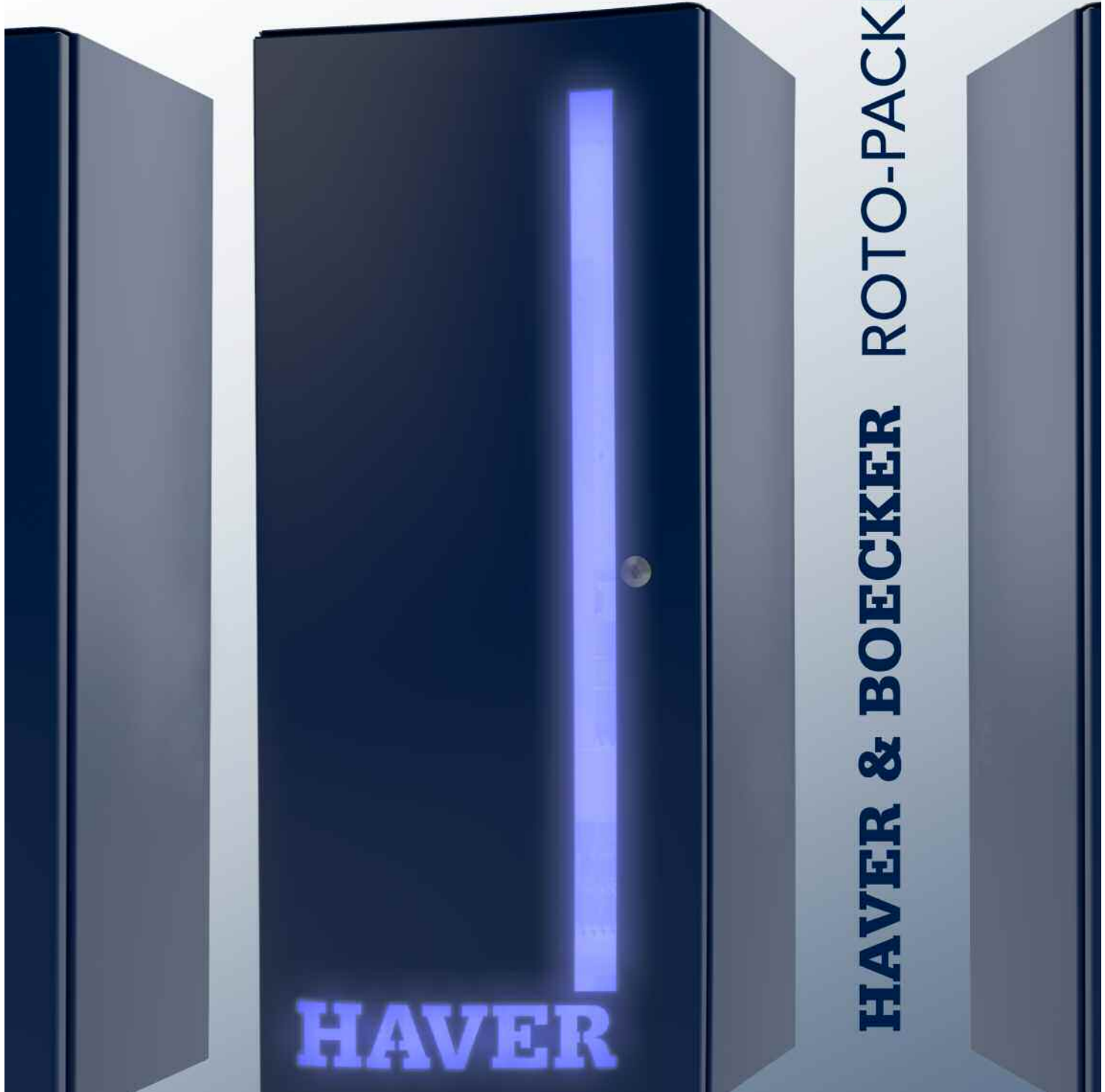
- reduction in maintenance works
- longer machine operating times
- longer machine operating times

The ideal modularity

- can be expanded to the SEAL technology
- exchangeable dosing units (pinch, slider, or rotary valve)
- filling module can be used with ROTO-PACKER®, INTEGRA® and ELEMENTRA®
- exchangeable impeller box of the R130 and R180 size

Your benefits

- reduction in stocking costs
- higher flexibility when operating filling systems
- reduction in maintenance and training costs



HAVER

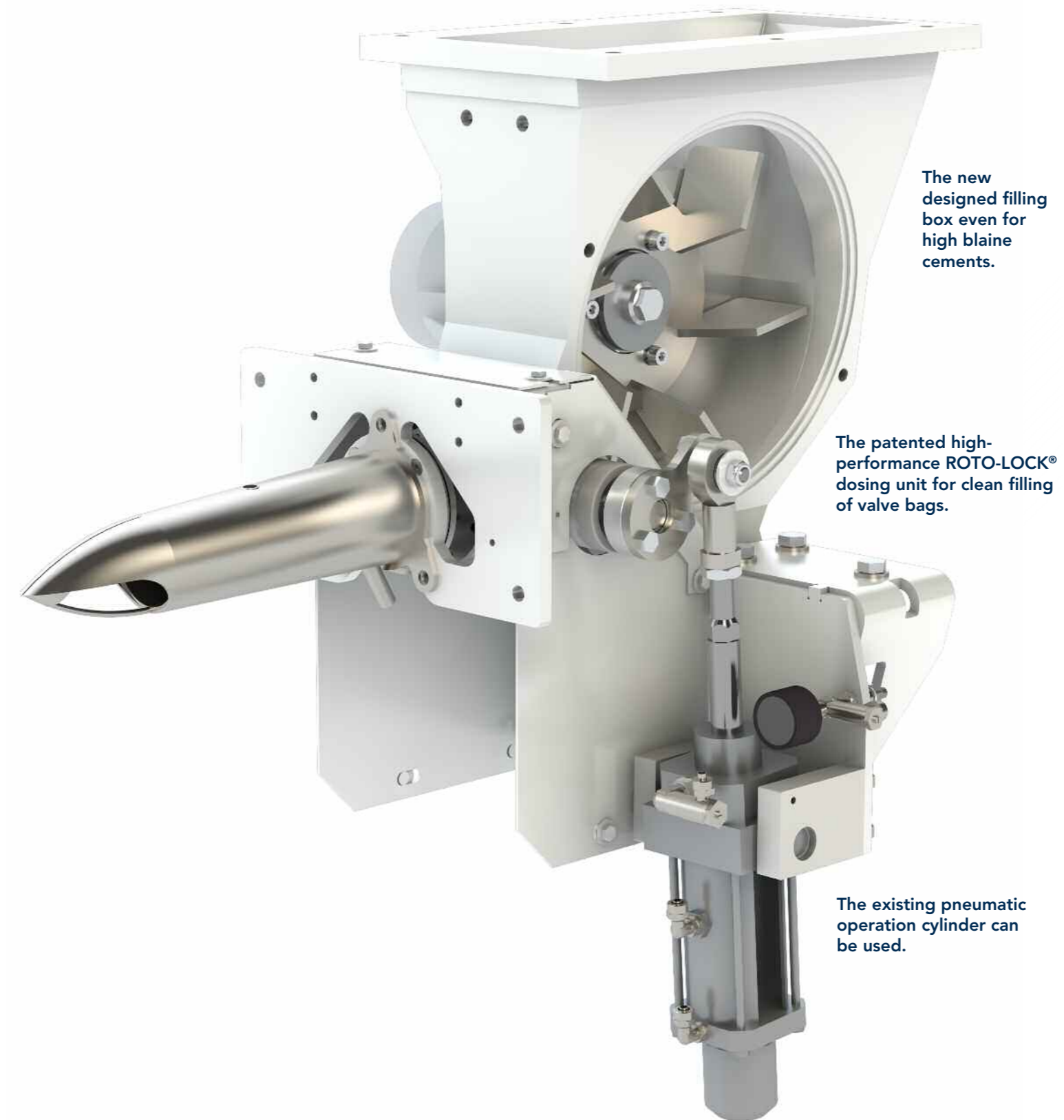
HAVER & BOECKER ROTO-PACKER® RVT

THE NEW DOSING UNIT ROTO-LOCK®

CLEAN

"The health and safety of our staff is our top priority. Therefore, any machine designed for today's requirements must ensure a clean working environment by minimizing product spillage." – YOU

If not maintained properly, one primary source of spillage in high-performance rotating packing systems has always been the sliding plates, which link the impeller box and filling spout. The ROTO-PACKER® RVT is the world's only packing system that allows you to replace the sliding plates with ROTO-LOCK® dosing unit as an option. The ROTO-LOCK® is a rotating flow gate. It completely eliminates spillage during the dosing process and requires almost no maintenance. The ROTO-LOCK® is designed in a manner that allows you to retrofit your ROTO-PACKER® RVT at any time. It can even be retrofitted on all ROTO-PACKER® built since the year 2000.



The new designed filling box even for high blaine cements.

The patented high-performance ROTO-LOCK® dosing unit for clean filling of valve bags.

The existing pneumatic operation cylinder can be used.

YOUR ADVANTAGES

- Maximize performance even with higher blaine
- Less wear and tear
- Maintenance-free dosing unit
- No adjustments or readjustments necessary
- Fully closed filling channel
- Clean filling process
- Long operating lifetime of the filling spout due to improved material selection

YOUR BENEFITS

- Higher performance, higher output, higher profit
- Profit increase due to clean filling and reduced product loss
- Higher production due to less downtime
- Cost reduction due to less cleaning and lower spare part costs

PROSPEROUS

“My bag is my business card. The quality of my package reflects on the quality of my product. My bag must be compact, clean and sharp looking.” – YOU

We understand how important your package is to you. Having a clean bag radiates your image to your market, customers, competitors and even your own employees. In response to your demand we want to create a new standard when it comes to traditional valve bag filling technology as well as integrate a completely clean system for those who want to go that extra mile.

For exceptional bag appearance, you can configure your ROTO-PACKER® RVT to be equipped with SEAL technology. The SEAL eliminates spillage by inflating a rubber sleeve on a specially designed filling spout during the filling process. After filling, the bag is carefully pulled off the spout and welded shut using an ultrasound sealing device. The result is an absolutely compact and clean bag, which will make your product stand out in any form of presentation. Additionally, the SEAL system avoids spillage during transport and prevents any kind of contamination or product extraction. This allows you to increase your weight accuracy without the need to overfill the bag. The resulting additional product profit to your operation far outweighs the extra expense to installing the SEAL system. Similar to the ROTO-LOCK®, the SEAL system can be retrofitted to your RVT or any ROTO-PACKER® built after 2000.



HAYER & BOECKER TECHNOLOGY

Since the inception of business as we know it, the measurement of success for a company has always been the profit it generates. The dictionary defines profit as "the ratio of pecuniary gain compared to the amount of capital invested." At HAYER & BOECKER we believe that the key to maximizing this ratio for any company lies in perfecting the quality of its flow in terms of product and process. We are convinced that a single perfect flow applicable to any and every product or process does not exist. Instead we are driven to identify the ideal flow for each product, customer and operation. In essence, at HAYER & BOECKER we are a family of flow designers and engineers focused on finding your perfect flow. The foundation for our endeavors is our range of premium technologies, which can be combined to form complete systems of flow. From processing and materials handling over mixing, packaging and filling to palletizing, loading and automating, HAYER & BOECKER can partner with you in all aspects of your business. With W.S. TYLER, IBAU HAMBURG, SOMMER, Feige FILLING, BEHN + BATES, NEWTEC BAG PALLETIZING and of course HAYER & BOECKER itself, we have assembled over time nothing but the best and strongest brands in our industry to ensure that we will not make any compromises when designing the perfect flow for you. Maximize your success by allowing our family of flow specialists and professionals to be a part of yours.



PROCESSING | STORAGE | MIXING | FILLING | PACKING | PALLETIZING | LOADING | AUTOMATION



HAYER & BOECKER OHG

Carl-Haver-Platz 3 · 59302 Oelde · Germany

Phone: +49 2522 30-0 · Fax: +49 2522 30-403

E-mail: haver@haverboecker.com

Internet: www.haverboecker.com